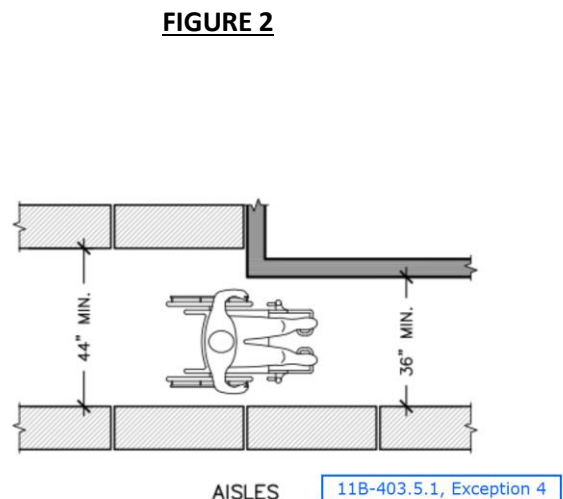
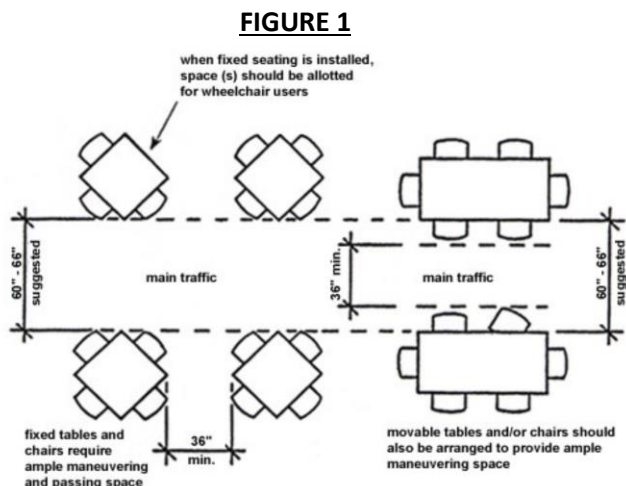


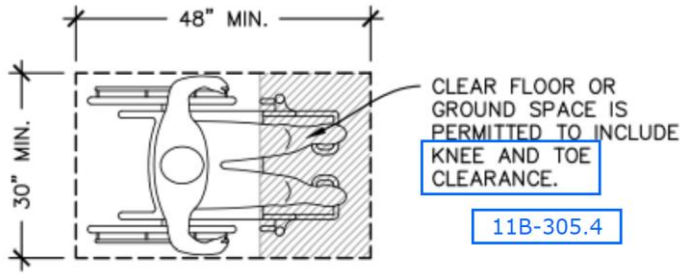


## Accessible Seating

- ❑ A minimum of 5% of the seating spaces shall comply with Section 11B-902. (11B-226.1)
- ❑ Accessible seating shall be dispersed throughout the space or facility containing dining surfaces for each type of seating in a functional area. (CBC 11B-226.2)
- ❑ At least one accessible route shall connect accessible buildings, accessible facilities, accessible elements, and accessible spaces that are on the same site. (CBC 11B-206.2.2) The minimum clear width of an accessible route shall be 36 inches minimum.
- ❑ Nearby parking to outdoor seating shall not encroach upon nor decrease the 36 inch accessible route.
- ❑ The clear width for aisles (*Figure 1 & 2*) shall be 36 inches minimum if serving elements on only one side, and 44 inches minimum if serving elements on both sides. (CBC 11B-403.5.1, Exception 4)
- ❑ The running slope of walking surfaces shall not be steeper than 1:20 (5%). (CBC 11B-403.3)
- ❑ The cross slope of walking surfaces shall not be steeper than 1:48 (2.08%). (CBC 11B-403.3)
- ❑ A clear floor space for forward approach shall be provided at each accessible seat. (CBC 11B-902.2)
- ❑ The clear floor or ground space (*Figure 3*) shall be 30 inches minimum by 48 inches minimum. (CBC 11B-305.3)
- ❑ The tops of dining surfaces and work surfaces (*Figure 5, 6 & 7*) shall be 28 inches (711 mm) minimum and 34 inches (864 mm) maximum above the finish floor or ground. (CBC 11B-902.3)
- ❑ The knee clearance (*Figure 60*) shall not be reduced at built-in dining and work surfaces required to be accessible by Section 11B-226.1. (CBC 11B-306.3.4, Exception)
- ❑ At dining and work surfaces required to be accessible, knee clearance (*Figure 5, 6 & 7*) shall extend 19 inches (483 mm) deep minimum at 27 inches (686 mm) above the finish floor or ground. (CBC 11B-306.3.3, Exception 2)
- ❑ Clearance of 19 inches deep minimum shall be from edge of post to edge of table (*Figure 7*) when post is included for table support.
- ❑ Knee & toe clearance (*Figure 6 & 7*) shall extend 25 inches maximum under an element. (CBC 11B-306.2.2)
- ❑ Knee & toe clearance (*Figure 6 & 7*) shall be 30 inches wide minimum. (CBC 11B-306.2.5 & 11B-306.3.5)



**FIGURE 3**

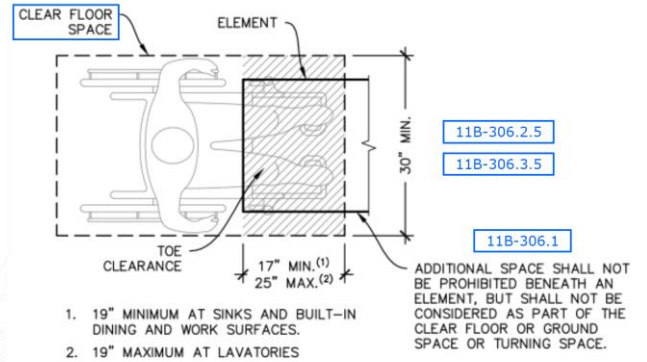


11B-305.4

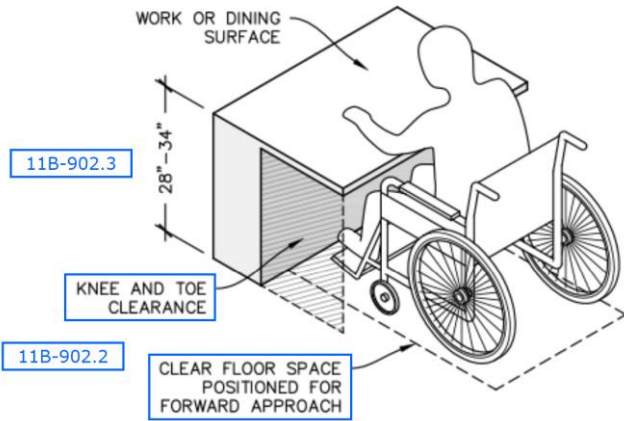
CLEAR FLOOR OR GROUND SPACE

11B-305.3

**FIGURE 4**



**FIGURE 5**

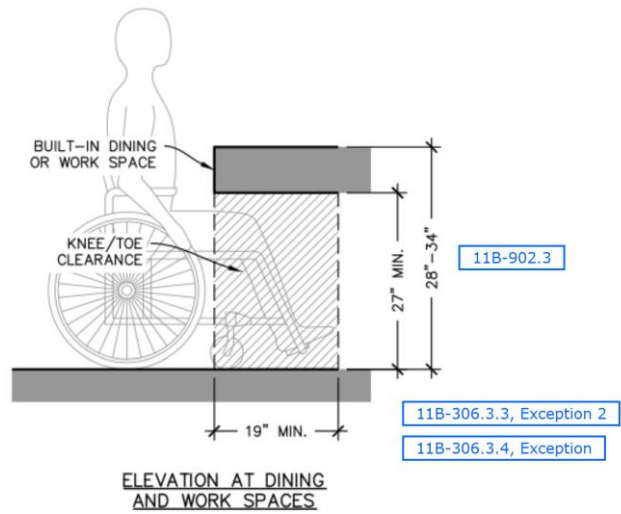


11B-305.6

CLEAR FLOOR SPACE SHALL ADJOIN AN ACCESSIBLE ROUTE.

WORK OR DINING SURFACE

**FIGURE 6**



ELEVATION AT DINING AND WORK SPACES

**FIGURE 7**

